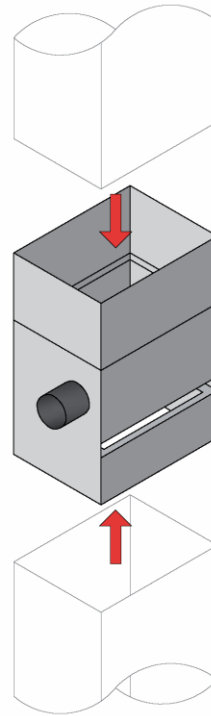


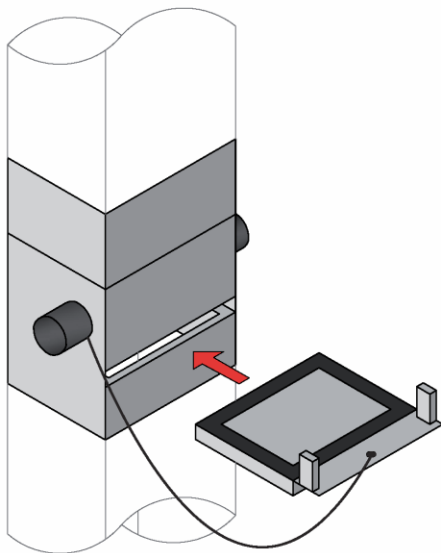
Fill top channel of "THE WATERGATE" with the supplied adhesive, as indicated

1



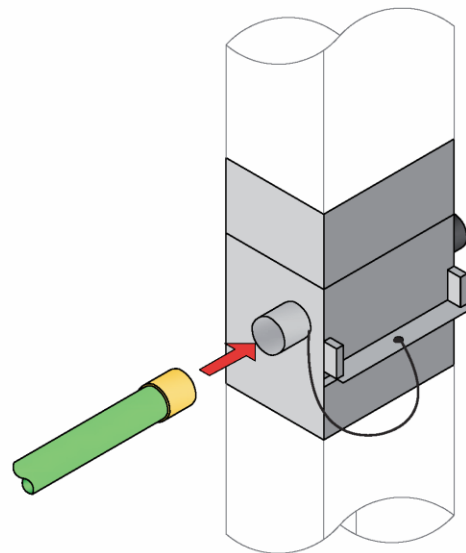
After applying the supplied adhesive to the inside top and bottom of "THE WATERGATE" secure top and bottom downpipes as indicated

2



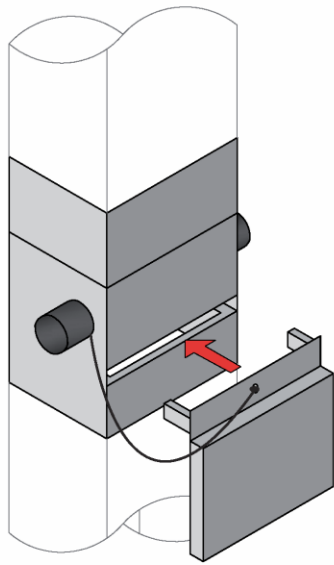
Insert "THE WATERGATE" slide into the "THE WATERGATE" as indicated to backfill gutters in the event of fire danger

3



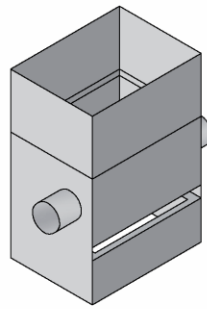
Remove black cap to attach hose connection to backfill gutters or to divert rainwater to water tanks for storage

4

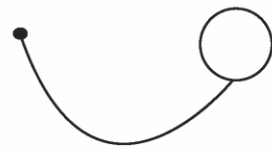


When "THE WATERGATE" is not required insert the legs of the slide into "THE WATERGATE" as indicated for storage and protection of the gasket

5



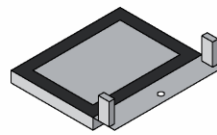
"THE WATERGATE"
(1 off)



"THE WATERGATE" Lanyard
(1 off)



"THE WATERGATE" Caps
(2 off)



"THE WATERGATE" Slide
(1 off)



"THE WATERGATE" Adhesive
(1 off)

6